



Chest freezer

CF500WE



Item number	0112421000CF500WE	Category 4 Taric Codes	8418308099
EAN code	5704704018860	QTY in 40HQ	62

Short Description

Practical chest freezer with a capacity of 500 litres.

The box has a strong insulation that ensures efficient freezing with low operating costs and a freezing capacity of 22.5 kg/24 hours. In addition to the fact that the chest freezer provides large and flexible capacity, it is also easy to operate and easy to clean.

The chest freezer has a "two in one" function, which means that the freezer can run in a temperature range of -24°C to +5°C, so the freezer can also be converted into a cold room.

The chest freezer can stand in dry environments down to -15°C, which is optimal if, for example, it is to be placed in a garage.

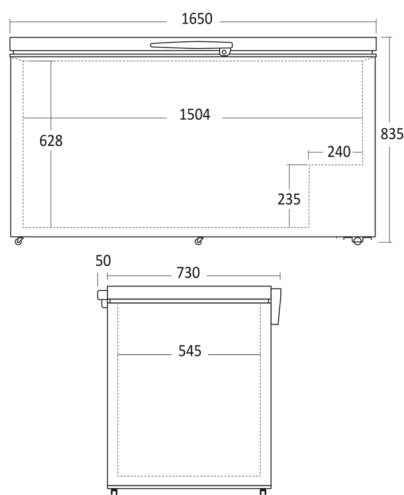
The design of the door, frees your hands, with the different angles of 45°-75° with the opening door. It is very comfortable to have both hands free.

Integrated energy-saving LED light in the lid provides a good overview in the box.

Key features

- Inverter compressor with 5 years warranty
- Can be placed in a dry environment at temperatures down to -15°C
- Dual function conversion freezer to refrigerator -24°C to 8°C
- 4 baskets included
- LED light inside - External handle with lock
- The lid can stand at different angles of 30°-75°
- 4 swivel wheels and 2 rigid wheels

Measurement Drawings



Dimensions and weight

Product dimensions, HxWxD, mm	835 x 1650 x 735
Product depth w/handle, mm	741
Packaging dimensions, HxWxD, mm	885 x 780 x 1685
Total packaging volume m3	1,163
Gross volume, L	500
Net volume, L	500
Internal dimensions, HxWxD, mm	663 x 1504 x 545
Built-In dimensions, HxWxD, mm	x x
Gross- / Net weight, kg	78 / 70

Performance and consumption

Energy efficiency class	E
Daily Energy Consumption, kWh/24	0,81
Annual energy cons. kWh/a	295
Energy Efficiency Index (EEI)	100
Noise level, dB(A)	45
Refrigeration / freezing technique	Static
Freezing capacity kg/24h	22,5
Superfreeze w/auto shut off	No
Temperature range °C	-18
Climate class	SN/N/ST/T
Defrost method	Manual
Temperature rise time (h)	40
Number of freezing stars	4
Type of refrigerant / gas gr.	R600a / 125
Can be placed in a dry environment at temperatures down to -15°C	Yes

Installation and power

Voltage / hertz, V/hz	220 / 50
Watt / Ampere, W/A	/ 1.65
Length of Powercord, cm	180

Design and comfort

Control panel	Outside
Handle	Outside
External thermometer	No
Digital display	Yes
Internal light	Top LED
Door- / lid type	Flip
Number of castors, pcs	6 castors
Controller	Digital
Lock & Key	Yes

Colour and material

Outside colour	White
Inside Colour	Aluminum
Colour and material of door/lid	Flip

Features

Number of baskets, pcs	4
Basket Size (HxWxD) (mm)	225 x 575 x 250

scandomestic